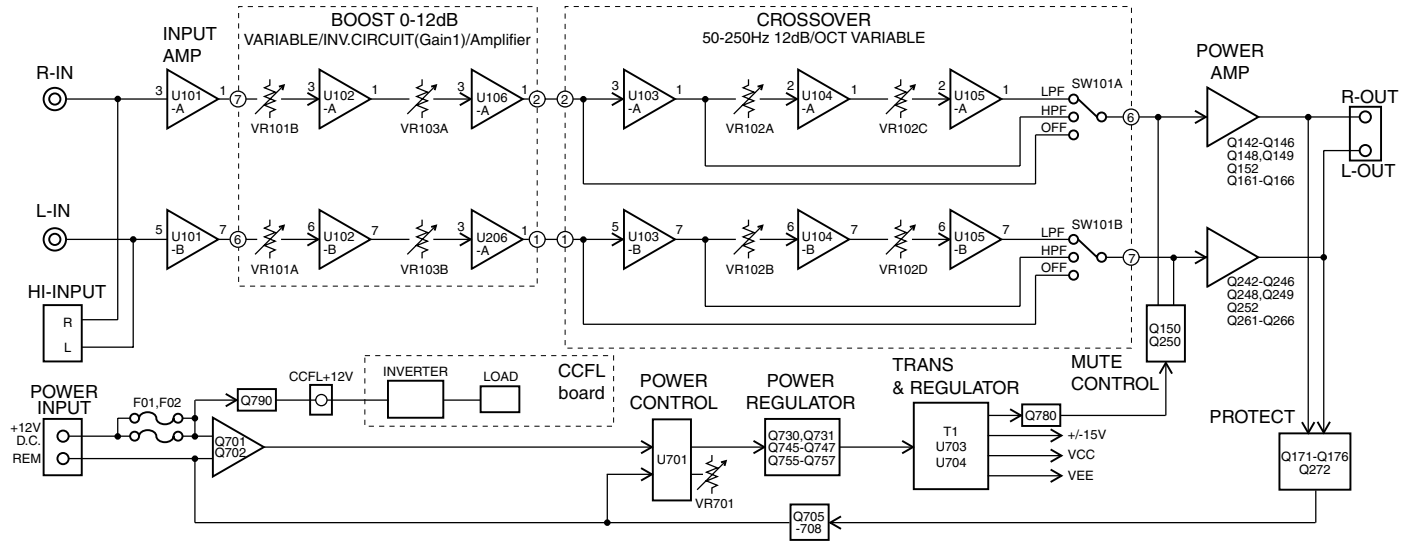


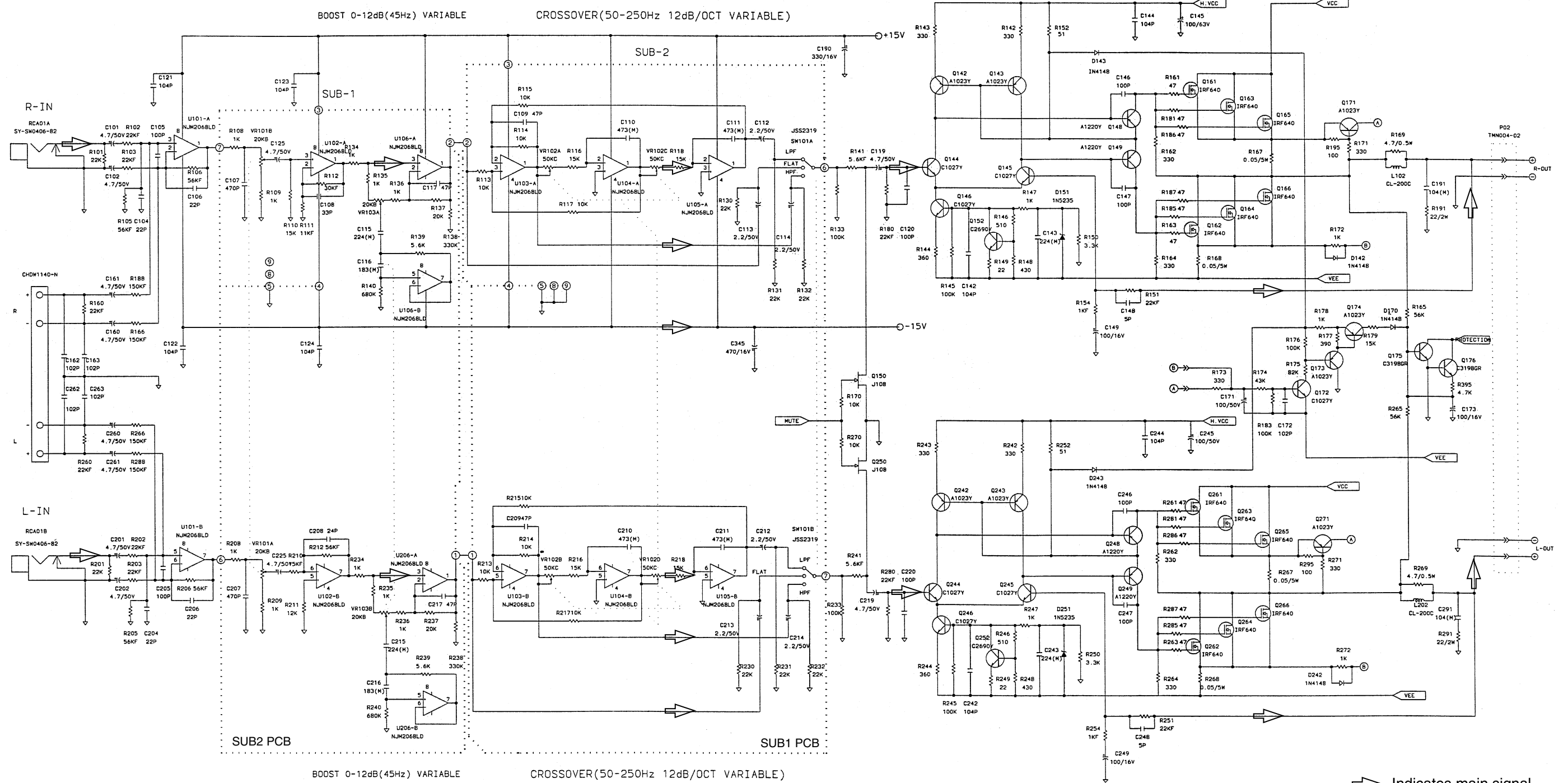
Block diagram



Standard schematic diagrams

■ Main board and sub [1/2] /sub2 board circuit diagram

7
6
5
4
3
2
1



Caution

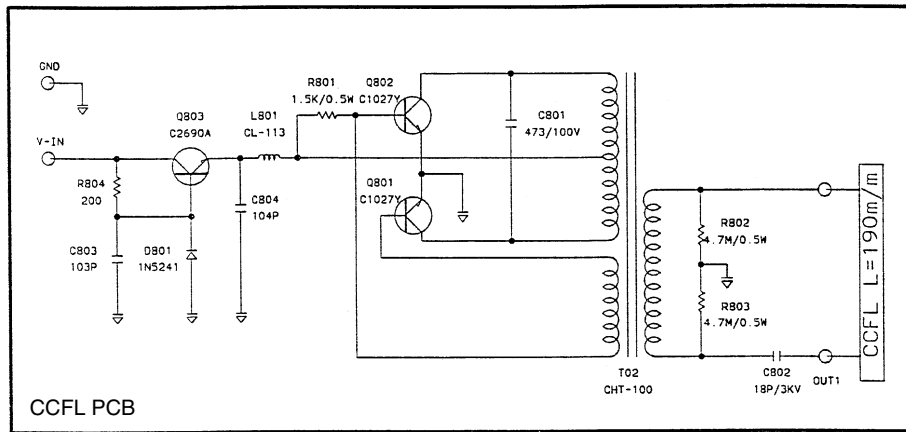
If electricity is connected during disassembly, it must be a no load current. If it is load current, be sure to attach a heat sink to the power-amp IC. This will be damaged if the above precautions are not followed, as it does not have a sub heat sink attached to it.

A B C D E F G H I J

■ Main board [2/2] and CCFL board circuit diagram

CCFL-INVERTER PCBOARD

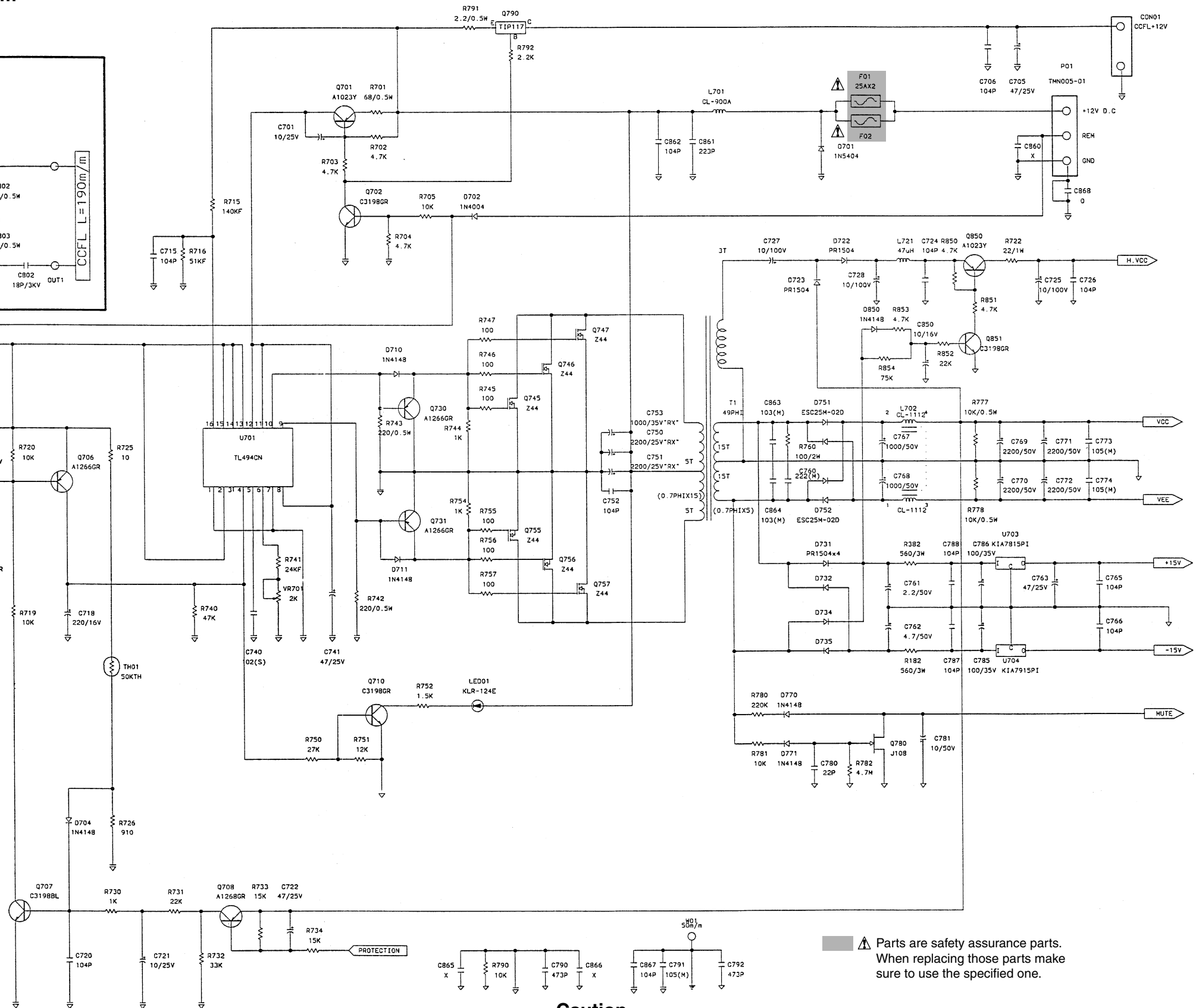
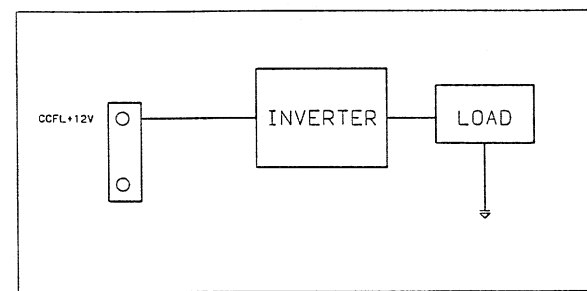
CCFL - Inverter board



CCFL PCB



CCFL BLOCK



⚠ Parts are safety assurance parts. When replacing those parts make sure to use the specified one.

Caution

If electricity is connected during disassembly, it must be a no load current. If it is load current, be sure to attach a heat sink to the power-amp IC. This will be damaged if the above precautions are not followed, as it does not have a sub heat sink attached to it.

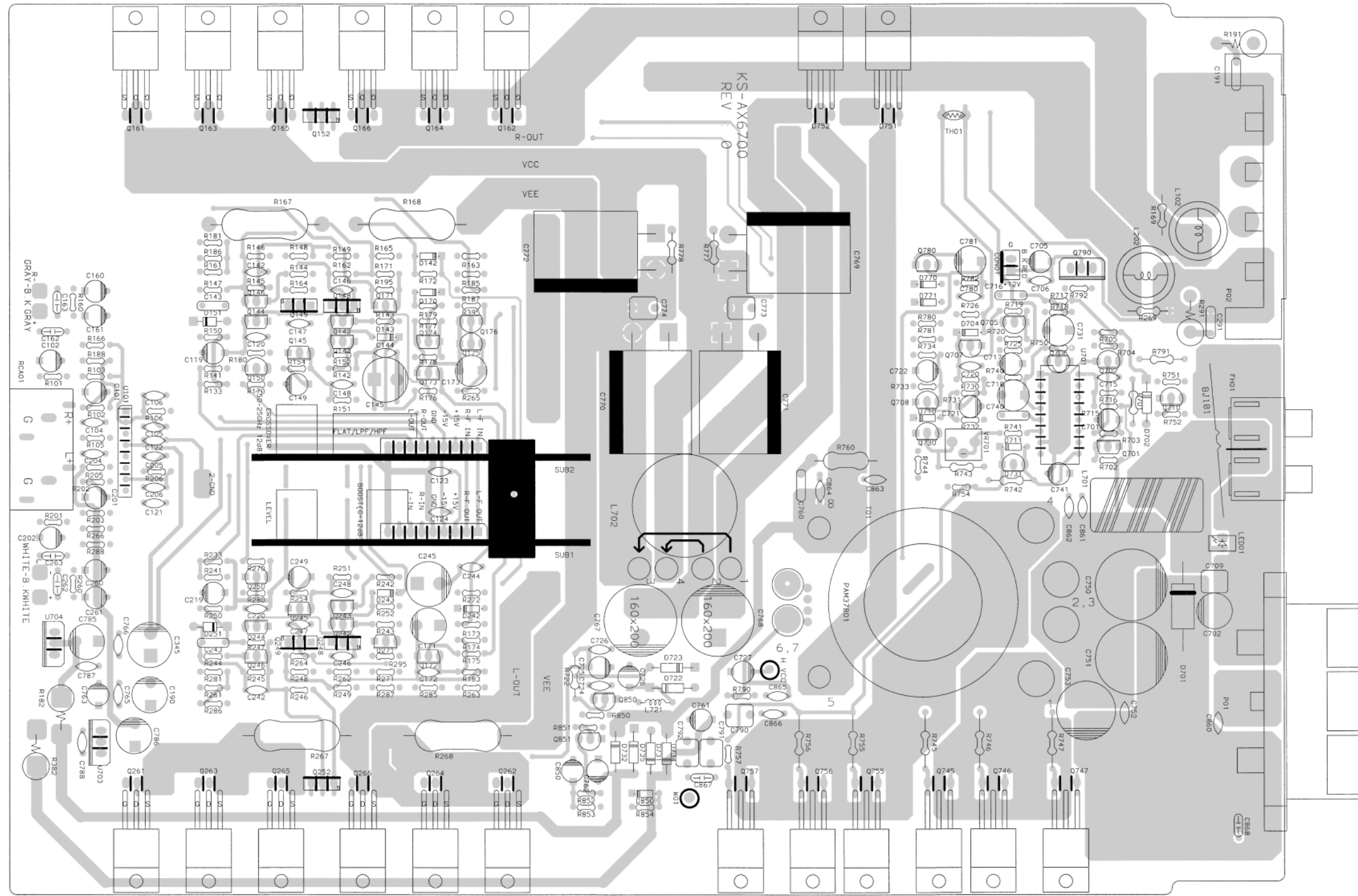
7
6
5
4
3
2
1

A B C D E F G H I J

Printed circuit boards

■ Main board

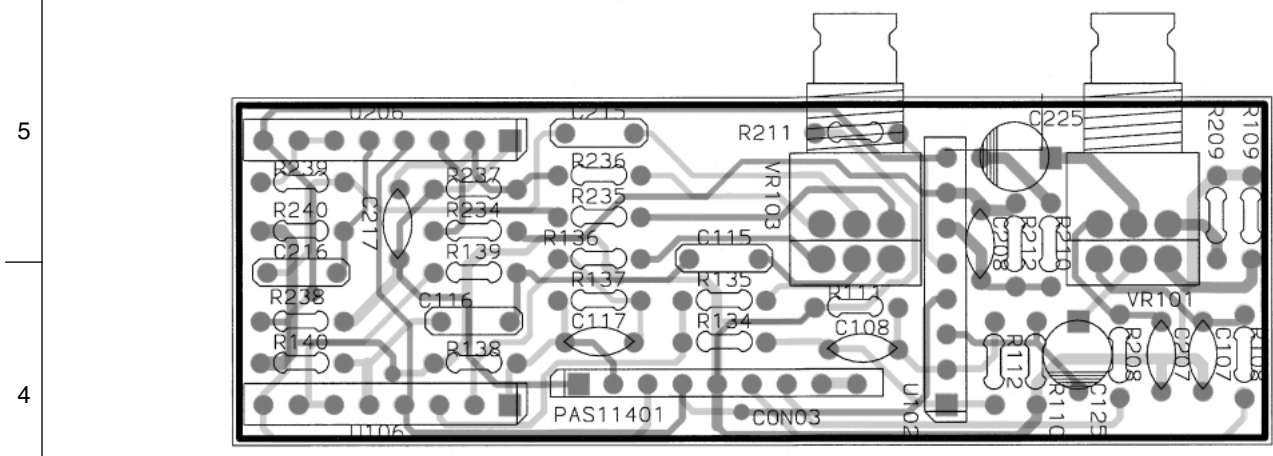
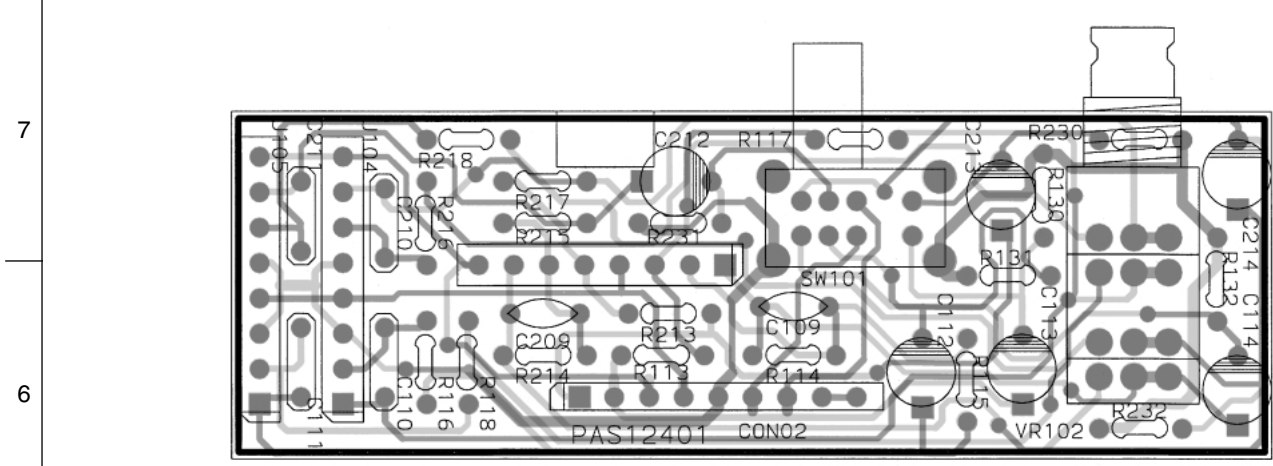
Surface side view



Caution

If electricity is connected during disassembly, it must be a no load current. If it is load current, be sure to attach a heat sink to the power-amp IC. This will be damaged if the above precautions are not followed, as it does not have a sub heat sink attached to it.

■ Sub1/sub2 P.C. board (Volume board)



■ CCFL P.C. board

